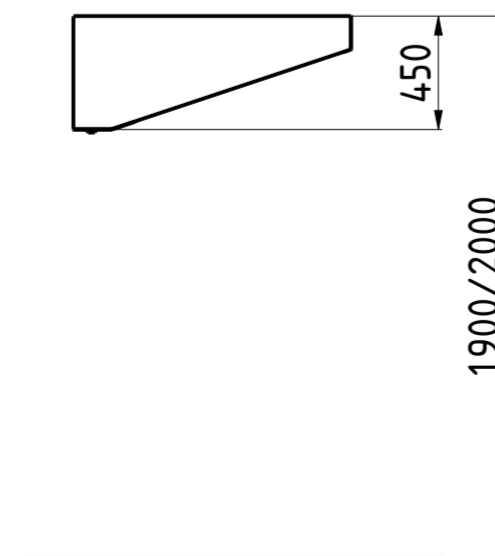
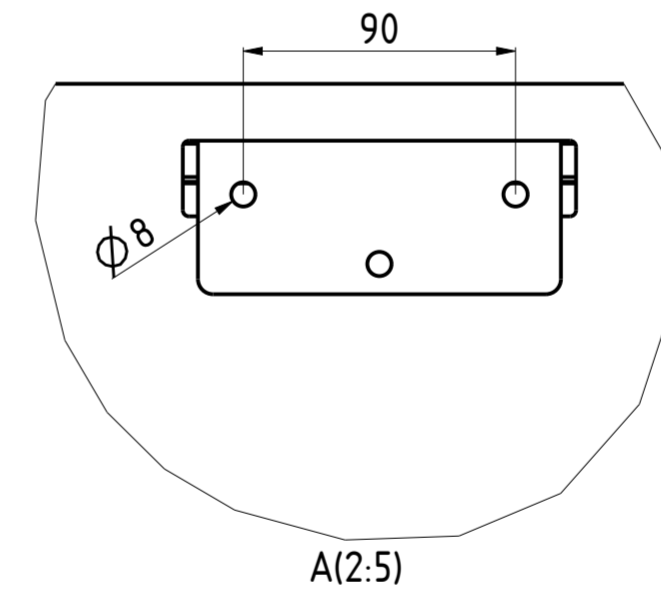
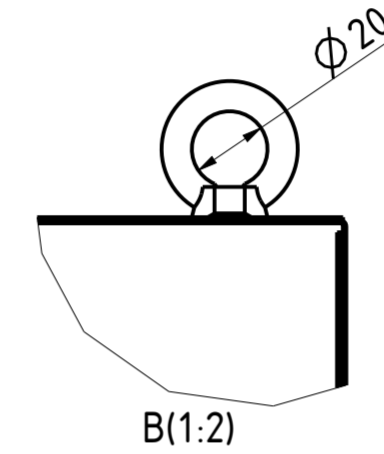
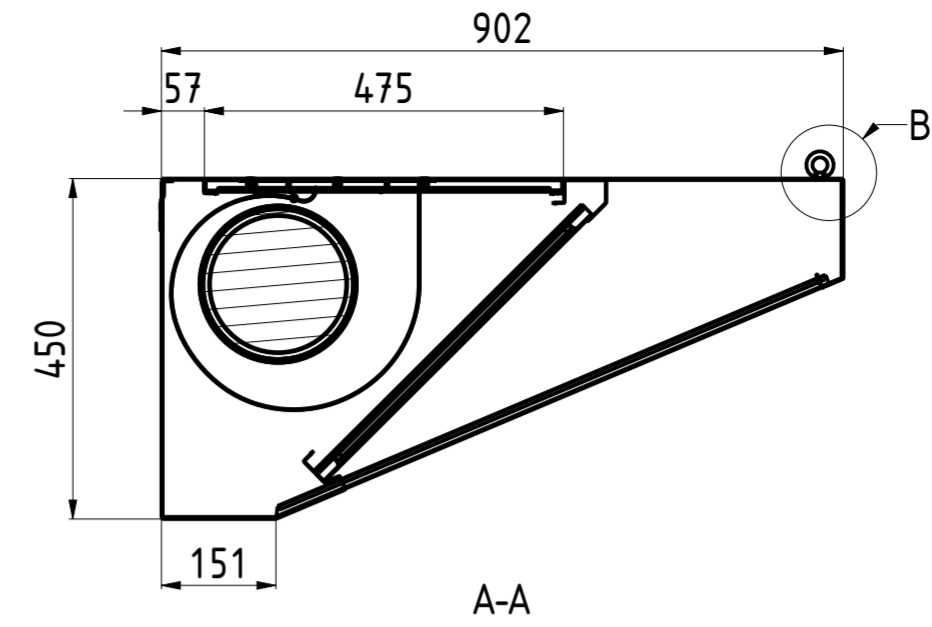
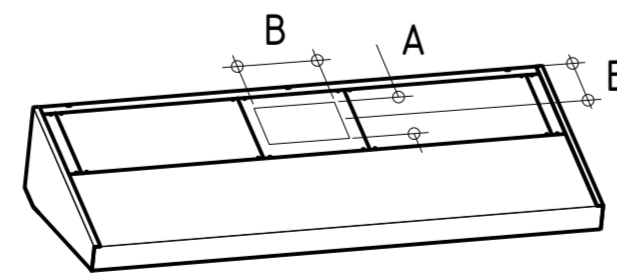
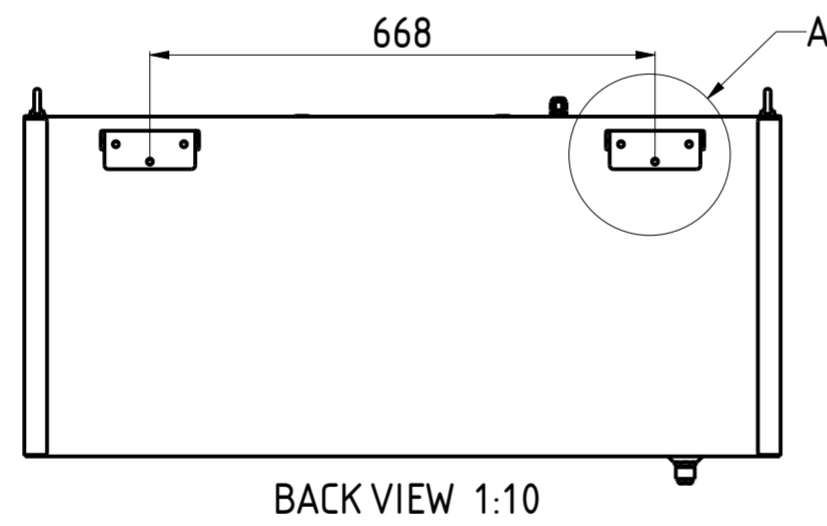
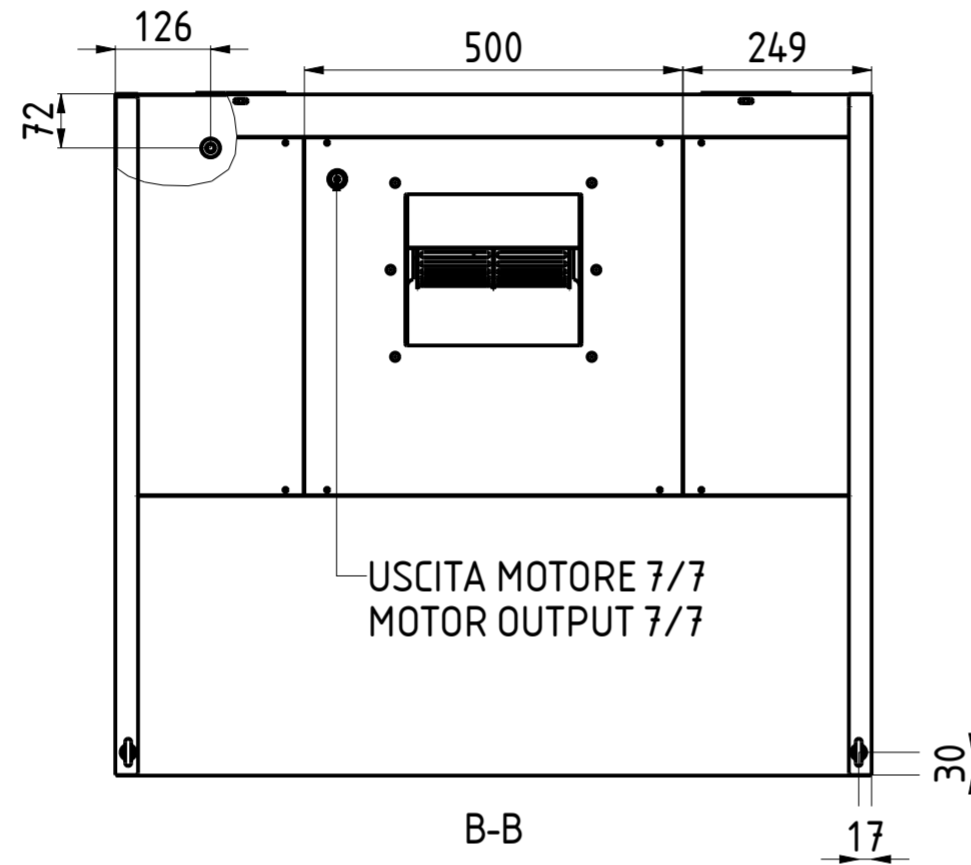
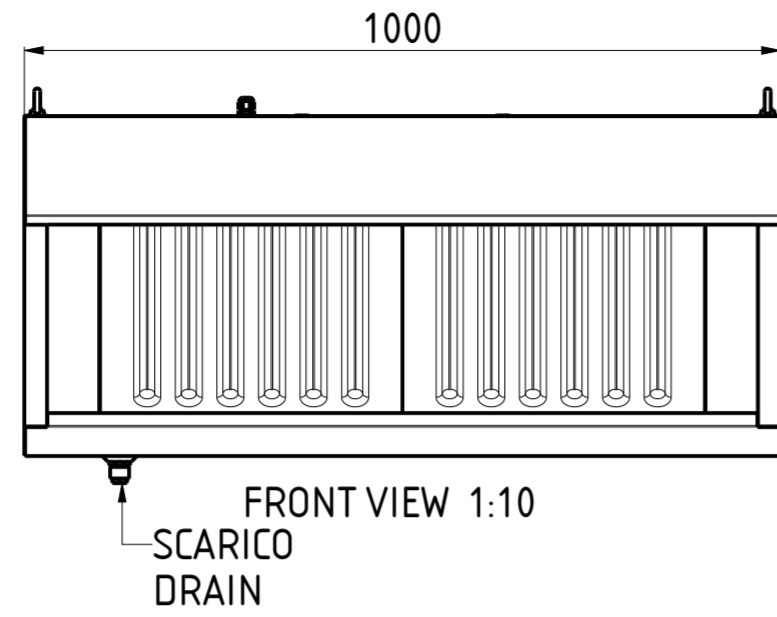
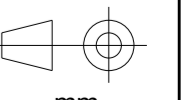


CHSN09L100



| FORO AxB HOLE AxB | E | NR. LUCI NR. LIGHTS | PORTATA FLOW RATE | HST mmH ₂ O | WATT | SDR | PESO (Kg) WEIGHT (Kg) |
|----------------------|-----|------------------------|----------------------|------------------------|------|-----|--------------------------|
| 210x230 | 230 | — | 1130 | 24 | 147 | 7/7 | 50 |

| DATA DATE | MODIF. N. MODIF. NO. | DESCRIZIONE MODIFICHE MODIFICATION DESCRIPTION | DISEGNATO DRAWN BY | APPROVATO APPROVED |
|--------------------------|-------------------------|---|-------------------------------|-----------------------|
| MODELLO MODEL | | CAPPA SNACK CON MOTORE 9/10 SNACK HOOD WITH MOTOR 9/10 | SCALA SCALE | - |
| PARTICOLARE DETAIL | | SCHEDA TECNICA DATA SHEET | DATA DATE | - |
| MATERIALE MATERIAL | | AISI 304 - AISI 430 | SPESS. THICK. | - |
| FINITURA FINISH | | | PEZZI N. PIECES NO. | |
| TRATTAMENTO TREATMENT | | | COLORE COLOUR | |
| | | | SHEET | 1 OF 2 |
| | | | ULTIMA EMISS. LAST EDITION | |



mm

FORM.A-2

TOLLERANCE UNLESS OTHERWISE STATED
 QUOTE SENZA TOLLERANZA
 TOLERANCE UNLESS OTHERWISE STATED
 QUOTE SENZA TOLLERANZA
 ELABORATO CON SISTEMA CAD
 DESIGNED BY CAD/STEM
 QUOTA PRIMARIA
 PRIMARY DIMENSION
 XX
 ANGOLI
 Angles
 >500
 ±0.75
 400-500
 ±0.65
 315-400
 ±0.60
 250-315
 ±0.55
 180-250
 ±0.50
 120-180
 ±0.45
 80-120
 ±0.40
 50-80
 ±0.35
 18-30
 ±0.25
 10-18
 ±0.20
 5-10
 ±0.15
 0-5
 ±0.10
 LUNGHEZZE E DIAMETRI
 LENGTH AND DIAM.